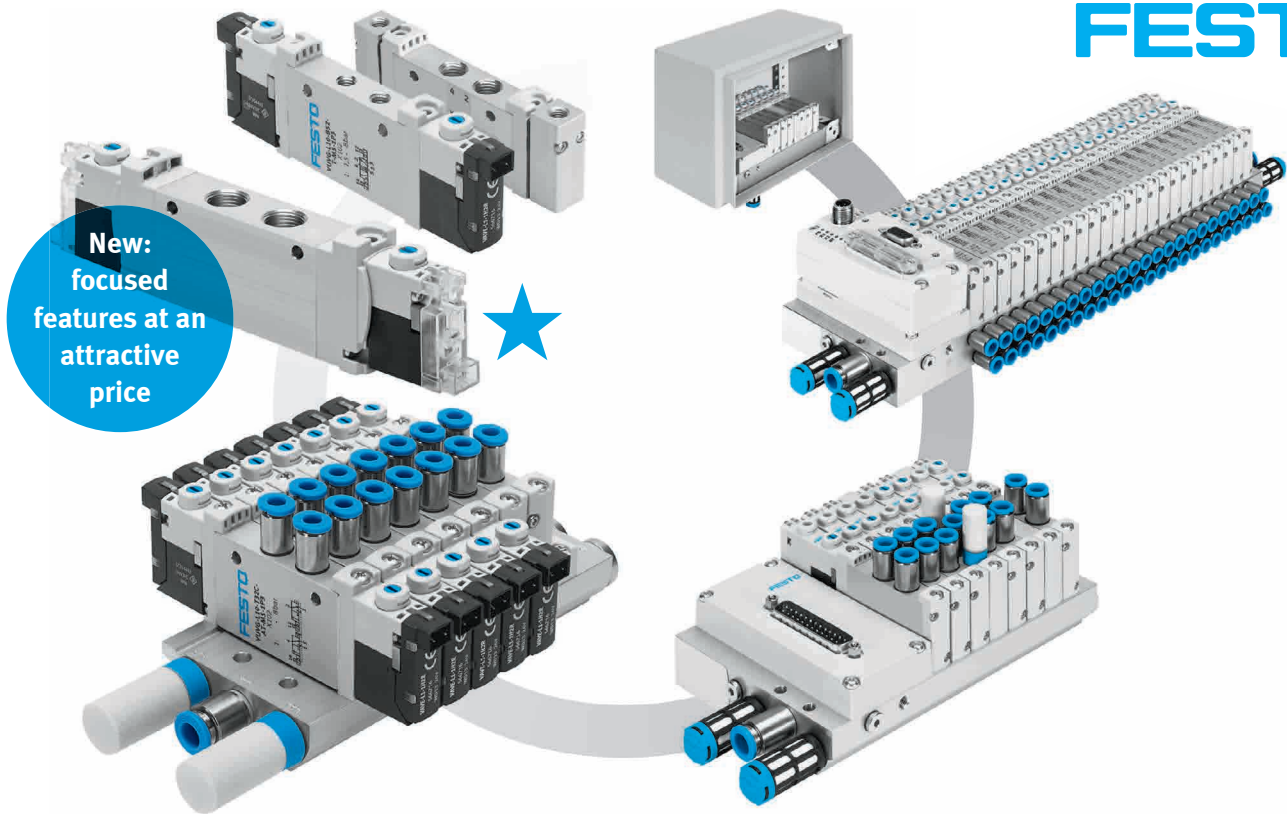
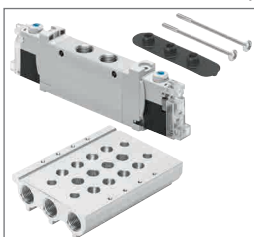


FESTO



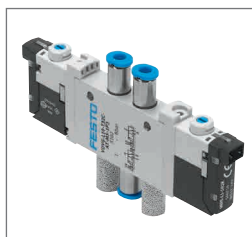
Quick availability – series VG: Attractive price, high flow rate and compact

Solenoid valves VUVG-...-S/pneumatic valves VUWG



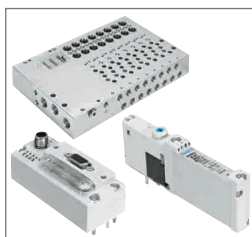
Delivery time:
ready for dispatch
from the Festo factory
in 24 hours ★

Individual valve/
components for self-
assembly



Delivery time:
in 5 working days
ready for dispatch from the
Festo plant

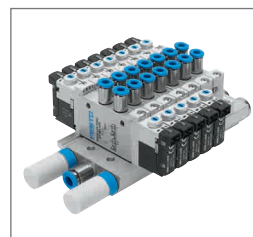
Configurable valve
VUVG
→ [www.festo.com/
catalogue/564212](http://www.festo.com/catalogue/564212)



Delivery time:
in 5 working days
ready for dispatch from the
Festo plant

Individual valve/
components for self-
assembly

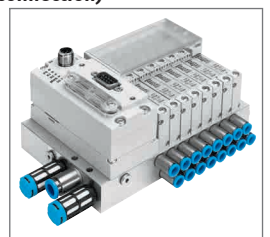
Valve terminals VTUG



Delivery time:
in 5 working days
ready for dispatch from the
Festo plant

Configurable valve terminal
VTUG
→ [www.festo.com/
catalogue/572230](http://www.festo.com/catalogue/572230)

(with multi-pin plug/fieldbus connection)



Delivery time:
in 5 working days
ready for dispatch from the
Festo plant

Configurable valve terminal
VTUG
→ [www.festo.com/
catalogue/573606](http://www.festo.com/catalogue/573606)

★ Festo core product range

covers 80% of your automation tasks

Worldwide: always in stock

Excellence: Festo quality at an attractive price

Easy: just a few clicks to place an order online

Fast: ready for dispatch from the Festo factory in 24 hours

We offer you components and solutions in the electronic catalogue for tasks that go beyond the core functions.

→ www.festo.com/xdki

Or simply contact your Festo sales engineer who will be pleased to help you.

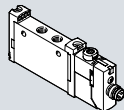
Solenoid valves VUVG, in-line and sub-base valves



Ordering data – solenoid valves VUVG, piston spool with sealing ring

003 Piston spool with sealing cartridge, 007 with internal pilot air supply, 008 with manual override non-detenting, detenting, 010 Exhausting without threaded fitting, 011 with nominal operating voltage 24 V DC, 013 without protective circuitry, 014 with LED display, 015 without connecting cable, 016 Variant with focussed features

In-line valves, individual valves VUVG-LK-...-S



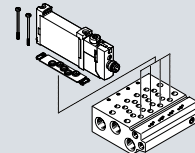
006 without reset type				
005	B52			
	004 Size			
	10 mm	10 mm	14 mm	
009 Pneumatic port				
012 Electrical connection box	M5	M7	G $\frac{1}{8}$	
H2 2-pin, IP40		★ 8042540	★ 8042548	★ 8042564
R8 3-pin, IP65		★ 8042544	★ 8042552	★ 8042568

006 with pneumatic spring				
005	M52			
	004 Size			
	10 mm	10 mm	14 mm	
009 Pneumatic port				
012 Electrical connection box	M5	M7	G $\frac{1}{8}$	
H2 2-pin, IP40		★ 8042539	★ 8042547	★ 8042563
R8 3-pin, IP65		★ 8042543	★ 8042551	★ 8042567

006 with pneumatic spring				
005	T32C			
	004 Size			
	10 mm	10 mm	14 mm	
009 Pneumatic port				
012 Electrical connection box	M5	M7	G $\frac{1}{8}$	
H2 2-pin, IP40		★ 8042538	★ 8042546	★ 8042562
R8 3-pin, IP65		★ 8042542	★ 8042550	★ 8042566

007 With internal pilot air supply				
005	P53C			
	004 Size			
	10 mm	10 mm	14 mm	
009 Pneumatic port				
012 Electrical connection box	M5	M7	G $\frac{1}{8}$	
H2 2-pin, IP40		in connection with electrical connection box VAVE-L1, → page 4		
R8 3-pin, IP65		★ 577346	★ 574223	★ 574231

Sub-base valves VUVG-BK-...-S



006 without reset type			
005	B52		
	004 Size		
	10 mm		14 mm
009 Connection in the manifold rail			
012 Electrical connection box	M5 or M7		G $\frac{1}{8}$
H2 2-pin, IP40		★ 8042556	★ 8042572
R8 3-pin, IP65		★ 8042560	★ 8042576

006 with pneumatic spring			
005	M52		
	004 Size		
	10 mm		14 mm
009 Connection in the manifold rail			
012 Electrical connection box	M5 or M7		G $\frac{1}{8}$
H2 2-pin, IP40		★ 8042555	★ 8042571
R8 3-pin, IP65		★ 8042559	★ 8042575

006 with pneumatic spring			
005	T32C		
	004 Size		
	10 mm		14 mm
009 Connection in the manifold rail			
012 Electrical connection box	M5 or M7		G $\frac{1}{8}$
H2 2-pin, IP40		★ 8042554	★ 8042570
R8 3-pin, IP65		★ 8042558	★ 8042574

007 with external pilot air supply			
005	T53C		
	004 Size		
	10 mm		14 mm
009 Connection in the manifold rail			
012 Electrical connection box	M5 or M7		G $\frac{1}{8}$
H2 2-pin, IP40		page 4 in connection with electrical connection box VAVE-L1, → page 4	
R8 3-pin, IP65		574239	574247

Ordering data – Accessories

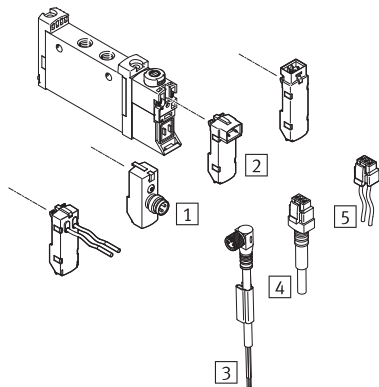
Plug socket with cable NEBV

Design	Description	for electrical connection box	Cable length	Part no.	Type	
	Individual cable, open end; not sheathed	for code 012 H2, H3		2.5 m	★ 566660	NEBV-H1G2-P-2.5-N-LE2
	Open end, 3-pin	for code 012 R8		2.5 m	★ 541338	NEBU-M8W3-K-2,5-LE3

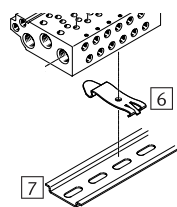
★ Ready for dispatch from the Festo factory in 24 hours

Accessories for solenoid valves VUVG, in-line and sub-base valves

Ordering data – Accessories



Description	Cable length	Part no.	Type
Electrical connection box			
1 Spark arresting, bipolar, IP65	–	★ 573919	VAVE-L1-1VR8-LP
2 Spark arresting, bipolar, IP40	–	★ 566714	VAVE-L1-1VH2-LP
Spark arresting, holding current reduction, IP40	–	★ 566716	VAVE-L1-1H2-LR
Connecting cable/plug socket with cable			
3 for electrical connection box code 012 R8: connecting cable, open end, angled socket, M8x1, 3-pin	2.5 m	★ 541338	NEBU-M8W3-K-2.5-LE3
4 for electrical connection box code 012 H2 or H3: plug socket with cable, sheathed, open end, 2-pin socket	0.5 m	★ 566658	NEBV-H1G2-P-0.5-N-LE2
	1 m	★ 566659	NEBV-H1G2-P-1-N-LE2
	2.5 m	★ 566660	NEBV-H1G2-P-2.5-N-LE2
5 for electrical connection box code 012 H2 or H3: plug socket with cable, not sheathed, open end, 2-pin socket	0.5 m	★ 566654	NEBV-H1G2-KN-0.5-N-LE2
	1 m	★ 566655	NEBV-H1G2-KN-1-N-LE2
	2.5 m	★ 566656	NEBV-H1G2-KN-2.5-N-LE2



Description	Cable length	Part no.	Type
Mounting components			
6 H-rail mounting, 2x for plugging the manifold assembly on the H-rail	–	★ 569998	VAME-T-M4
7 H-rail acc. to EN 60715, 35 x 7.5 (WxH)		35430	NRH-35-2000

Type code - terminal strip VABM



001	Type
VABM	Manifold rail for in-line valve
002	Valve series
L1	VG series
003	Size
10	for valve size 10 mm
14	for valve size 14 mm
18	for valve size 18 mm
004	Manifold rail, ports 2 and 4
S	for in-line valves size M5/M7, G1/8, G1/4
W	for sub-base valves, size M5/M7, G1/8
HW	for sub-base valves, size M5/M7 (optimized for flow rate)

005	Pneumatic ports 1, 3, 5
M5	M5 thread
M7	M7 thread
G18	G1/8 thread
G14	G1/4 thread
G38	Thread G3/8
006	Number of valve positions
...	2 3 4 5 6 7 8 9 10 12 14 16

Key: Mandatory entry Optional entry

Features that are easy to select and quick to order.

Order information – Versions solenoid valves VABM

Configurable product

This product and all its variants can be ordered using the configurator.

You can find the configurator under Products

→ www.festo.com/catalogue/vabm

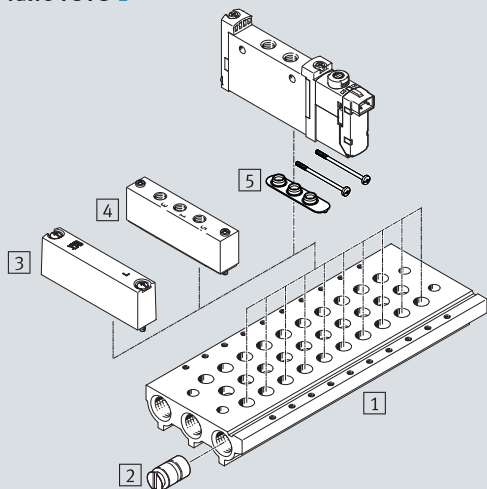
Enter the configuration part number in the search field:

573605

★ Ready for dispatch from the Festo factory in 24 hours

Ordering data – Manifold rail

for in-line valve VUVG-L

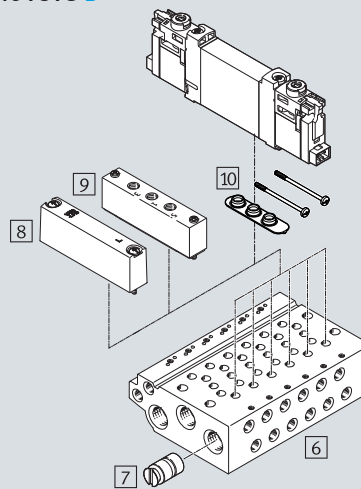


1 Manifold rail VABM-L1-...S¹⁾
for in-line valve VUVG-L

		003 for valve size		
		10 mm	14 mm	18 mm
		004 Manifold rail, ports 2, 4		
		M5/M7	G $\frac{1}{8}$	G $\frac{1}{4}$
		005 Pneumatic ports 1, 3, 5		
006	Number of valve positions	G $\frac{1}{8}$	G $\frac{1}{4}$	G $\frac{3}{8}$
2	Valve positions	★ 566558	★ 566618	★ 574455
3	Valve positions	★ 566559	★ 566619	★ 574456
4	Valve positions	★ 566560	★ 566620	★ 574457
6	Valve positions	★ 566562	★ 566622	★ 574459
8	Valve positions	★ 566564	★ 566624	★ 574461
10	Valve positions	★ 566566	★ 566626	★ 574463

1) Internal or external pilot air supply possible with the same manifold rail by integrated blanking plug.

For sub-base valve VUVG-B



6 Manifold rail VABM-L1-...W¹⁾ / VABM-L1-...HW²⁾
for sub-base valve VUVG-B

		003 for valve size		
		10 mm	14 mm	18 mm
		004 Manifold rail, ports 2, 4		
		M5	M7	G $\frac{1}{8}$
		005 Pneumatic ports 1, 3, 5		
006	Number of valve positions	G $\frac{1}{8}$	G $\frac{1}{8}$ ²⁾	G $\frac{1}{4}$
2	Valve positions	★ 566582	★ 566606	★ 566642
3	Valve positions	★ 566583	★ 566607	★ 566643
4	Valve positions	★ 566584	★ 566608	★ 566644
6	Valve positions	★ 566586	★ 566610	★ 566646
8	Valve positions	★ 566588	★ 566612	★ 566648
10	Valve positions	★ 566590	★ 566614	★ 566650

1) Internal or external pilot air supply possible with the same manifold rail by integrated blanking plug.
 2) Optimized for flow rate

Ordering data – Accessories

for valve size			
10 mm	10 mm	14 mm	18 mm
for manifold rail, ports 2, 4			
M5	M7	G $\frac{1}{8}$	G $\frac{1}{4}$
for pneumatic ports 1, 3, 5			
G $\frac{1}{8}$	G $\frac{1}{8}$	G $\frac{1}{4}$	G $\frac{3}{8}$
2 Separation element VABD, for pressure zones			
569995	569995	569996	574483
3 Cover plate VABB-L1			
★ 566462	★ 566462	★ 569989	★ 574482
4 Supply plate VABF-L1			
569991	569992	569993	574481
5 Seal VABD-L1, delivery unit: 10 sets (2 screws and 1 seal each)			
★ 8043718	★ 8043719	★ 8043720	★ 574479

for valve size			
10 mm	10 mm	14 mm	18 mm
for manifold rail, ports 2, 4			
M5	M7	G $\frac{1}{8}$	
for pneumatic ports 1, 3, 5			
G $\frac{1}{8}$	G $\frac{1}{8}$	G $\frac{1}{4}$	
7 Separation element VABD, for pressure zones			
569994	569994	569996	
8 Cover plate VABB-L1			
★ 566495	★ 566495	★ 569989	
9 Supply plate VABF-L1			
569991	569992	569993	
10 Seal VABD-L1, delivery unit: 10 sets (2 screws and 1 seal each)			
566674	566676	574480	

★ Ready for dispatch from the Festo factory in 24 hours

Solenoid valves VG series, plug-in

Type codes – Solenoid valve VUVG-T1, plug-in



001	Type
VUVG	Solenoid valve
002	Valve design
S	Semi in-line valve
B	Sub-base valve
003	Size / max. flow rate/pneumatic port
10	10 mm / 380 l/min / M5, M7
14	14 mm / 630 l/min / G ¹ / ₈
18	18 mm / 1380 l/min / G ¹ / ₄
004	Valve function
B52	5/2-way valve, double-solenoid
M52	5/2-way valve, single-solenoid
P53C	5/3-way valve, mid-position closed
P53E	5/3-way valve, mid-position exhausted
P53U	5/3-way valve, mid-position pressurised
T32C	2x3/2-way valve, normally closed
T32H	2x3/2-way valve, 1x normally closed, 1x normally open
T32U	2x3/2-way valve, normally open
005	Type of reset
–	Without, for valve function B52 and P53
A	Pneumatic spring, for valve function T32... and M52
M	Mechanical spring, for valve function T32... and M52
R	Mixed, pneumatic/mechanical spring, for valve function M52
006	Pilot air supply
Z	External

007	Manual override
H	Non-detenting
S	Covered
T	Non-detenting, detenting
Y	Detenting, without accessories
008	Pneumatic port
M5	M5 thread
M7	M7 thread
G18	Thread G ¹ / ₈
G14	G ¹ / ₄ thread
F	Flange/sub-base
Q...	Push-in connector, metric: 3 = 3 mm, 4 = 4 mm, 6 = 6 mm, 8 = 8 mm, 10 = 10 mm
T...	Push-in connector, imperial: 18 = 1/8, 532 = 5/32, 316 = 3/16, 14 = 1/4, 38 = 3/8
009	Nominal operating voltage
1	24 V DC
010	Electrical connection box
T1	Plug-in
011	Display
–	None
L	LED

Key: Mandatory entry Optional entry

Ordering data – Solenoid valve variants VUVG-T1, plug-in

Configurable product

This product and all its variants can be ordered using the configurator.

You can find the configurator under Products
[→ www.festo.com/catalogue/plug-in](http://www.festo.com/catalogue/plug-in)

Ordering data – solenoid valves VUVG, plug-in

006 with external pilot air supply, 007 with manual override momentary, latching, 009 with nominal operating voltage 24 V DC, 010 Variant with focused characteristics, 011 with LED display

Semi in-line valves, VUVG-S-...-1T1L

004		B52	003 Size			
			10 mm	10 mm	14 mm	18 mm
			008 Pneumatic connection			
005	Reset method		M5	M7	G ¹ / ₈	G ¹ / ₄
None			573394	573406	573472	8004881

Sub-base valves VUVG-B-...-1T1L

004		B52	003 Size		
			10 mm	14 mm	18 mm
			008 Connection in the manifold rail		
005	Type of reset		M5 or M7	G ¹ / ₈	G ¹ / ₄
None			573418	573484	8004893

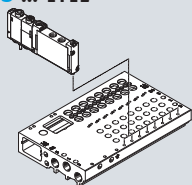
Solenoid valves VG series, plug-in



Ordering data – solenoid valves VUVG, plug-in

006 with external pilot air supply, 007 with manual override momentary, latching, 009 with nominal operating voltage 24 V DC, 010 Variant with focused characteristics, 011 with LED display

Semi in-line valves, VUVG-S-...-1T1L



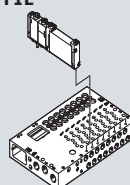
004 M52	003 Size			
	10 mm	10 mm	14 mm	18 mm
	008 Pneumatic connection			
005 Reset method	M5	M7	G $\frac{1}{8}$	G $\frac{1}{4}$
M Mechanical spring	573393	573405	573471	8004880

004 M52	003 Size			
	10 mm	10 mm	14 mm	18 mm
	008 Pneumatic connection			
005 Reset method	M5	M7	G $\frac{1}{8}$	G $\frac{1}{4}$
R Pneumatic/mechanical spring	573392	573404	–	8004879
A Pneumatic spring	–	–	573470	–

004 T32C	003 Size			
	10 mm	10 mm	14 mm	18 mm
	008 Pneumatic connection			
Normally closed				
005 Reset method	M5	M7	G $\frac{1}{8}$	G $\frac{1}{4}$
A Pneumatic spring	573386	573398	573464	8004873

004 P53C	003 Size			
	10 mm	10 mm	14 mm	18 mm
	008 Pneumatic connection			
Mid-position closed				
005 Reset method	M5	M7	G $\frac{1}{8}$	G $\frac{1}{4}$
None	573395	573407	573473	8004882

Sub-base valves VUVG-B-...-1T1L



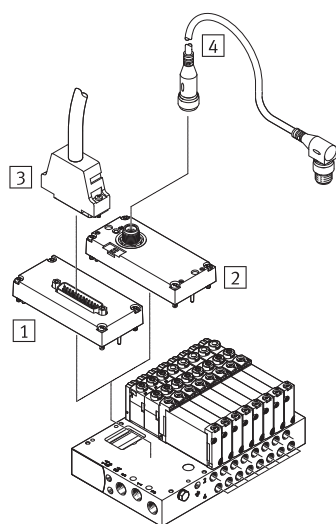
004 M52	003 Size		
	10 mm	14 mm	18 mm
	008 Connection in the manifold rail		
005 Type of reset	M5 or M7	G $\frac{1}{8}$	G $\frac{1}{4}$
M Mechanical spring	573417	573483	8004892

004 M52	003 Size		
	10 mm	14 mm	18 mm
	008 Connection in the manifold rail		
005 Type of reset	M5 or M7	G $\frac{1}{8}$	G $\frac{1}{4}$
R Pneumatic/mechanical spring	573416	–	8004891
A Pneumatic spring	–	573482	–

004 T32C	003 Size		
	10 mm	14 mm	18 mm
	008 Connection in the manifold rail		
Normally closed			
005 Type of reset	M5 or M7	G $\frac{1}{8}$	G $\frac{1}{4}$
A Pneumatic spring	573410	573476	8004885

004 P53C	003 Size		
	10 mm	14 mm	18 mm
	008 Connection in the manifold rail		
Mid-position closed			
005 Type of reset	M5 or M7	G $\frac{1}{8}$	G $\frac{1}{4}$
None	573419	573485	8004894

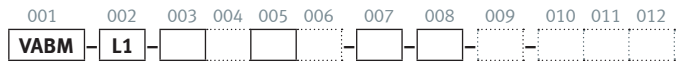
Order details – electrical accessories



Description	Cable length	Part no.	Type
Electrical interface			
1 Sub-D, 25-pin	–	573445	VAEM-L1-S-M1-25
Sub-D, 44-pin	–	573446	VAEM-L1-S-M1-44
2 I-Port interface / IO-Link, output top			
Activation of up to 8 bistable valve positions	–	573384	VAEM-L1-S-8-PT
Activation of up to 16 bistable valve positions	–	573939	VAEM-L1-S-16-PT
Connecting cable			
3 for multi-pin plug, Sub-D, 25-pin, up to 24 coils, IP40, open cable end, 25-core	2.5 m	575417	NEBV-S1G25-K-2.5-N-LE25-S6
	5 m	575418	NEBV-S1G25-K-5-N-LE25-S6
	10 m	575419	NEBV-S1G25-K-10-N-LE25-S6
for multi-pin plug, Sub-D, 44-pin, up to 42 coils, IP40, open cable end, 44-core	2.5 m	575113	NEBV-S1G44-K-2.5-N-LE44-S6
	5 m	575114	NEBV-S1G44-K-5-N-LE44-S6
	10 m	575115	NEBV-S1G44-K-10-N-LE44-S6
4 Socket, 5-pin, M12, plug, 5-pin, M12, suitable for energy chains	5 m	574321	NEBU-M12G5-E-5-Q8N-M12G5
	7.5 m	574322	NEBU-M12G5-E-7.5-Q8N-M12G5
	10 m	574323	NEBU-M12G5-E-10-Q8N-M12G5

Accessories for solenoid valves VG series, plug-in

Type code - terminal strip VABM

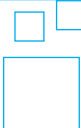


001	Type
VABM	Manifold rail for in-line valve
002	Valve series
L1	VG series
003	Size
10	for valve size 10 mm
14	for valve size 14 mm
18	for valve size 18 mm
004	Version
-	Standard
H	High flow rate
005	Connection type
G	Semi in-line
W	Sub-base
006	Connection direction
-	At the side
B	Bottom
007	Pneumatic ports 1, 3, 5
G18	G $\frac{1}{8}$ thread
G14	G $\frac{1}{4}$ thread
G38	Thread G $\frac{3}{8}$

008	Number of valve positions
...	4 5 6 7 8 9 10 12 14 16 20 24
009	Port for valve function
-	5/2-way valve, double-solenoid
M	5/2-way valve, single-solenoid
010	Electrical connection
-	None
G	Preparation for electrical connection
011	Wiring allocation
-	None
R	Holding current reduction with protective circuit
012	Outlet direction of electrical components
-	Top

Key: Mandatory entry Optional entry
 Features that are easy to select and quick to order.

Order information – Versions solenoid valves VABM

	<p>Configurable product</p>	<p>This product and all its variants can be ordered using the configurator.</p>	<p>You can find the configurator under Products → www.festo.com/catalogue/vabm</p>	<p>Enter the configuration part number in the search field: 573605</p>
---	------------------------------------	---	---	--

Accessories for solenoid valves VG series, plug-in



Ordering data – Manifold rail

5 Manifold rail VABM-L1-...G¹⁾

for semi in-line valve VUVG-S

004 with standard flow rate, 005 Ports for semi in-line valve, 006 Lateral ports, 009 for 5/2-way valve, bistable, 010 with preparation for electrical connection, 011 Coil management with protective circuit, 012 with outlet direction electrical top.

Port 2, 4 on the valve	003 for valve size		
	10 mm	14 mm	18 mm
	007 Pneumatic ports 1, 3, 5		
008 Number of valve positions	G ^{1/8}	G ^{1/4}	G ^{3/8}
4 Valve positions	573423	573489	8004899
6 Valve positions	573425	573491	8004901
8 Valve positions	573427	573493	8004903
10 Valve positions	573429	573495	8004905
12 Valve positions	573430	573496	8004906
16 Valve positions	573431	573497	8004907
24 Valve positions	573433	573499	8004909

1) Internal or external pilot air supply possible with the same manifold rail by using integrated blanking plug.

5 Manifold rail VABM-L1-...W²⁾ / VABM-L1-...HW²⁾

for sub-base valve VUVG-B

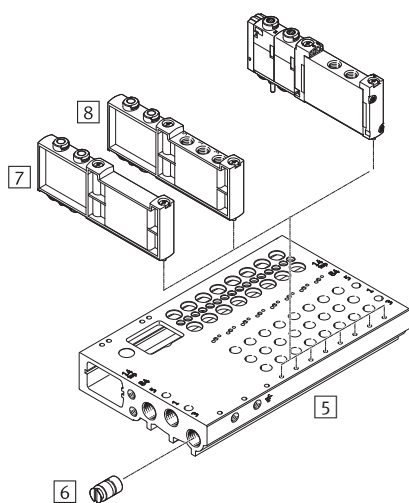
004 with pneumatic port G^{1/8} with high flow rate, with pneumatic port G^{1/4} and G^{3/8} with standard flow rate, 005 Ports for sub-base valve, 006 Lateral ports, 009 for 5/2-way valve, bistable, 010 with preparation for electrical connection, 011 Coil management with protective circuit, 012 with outlet direction electrical top.

Port 2, 4 at front	003 for valve size		
	10 mm		14 mm
	007 Pneumatic ports 1, 3, 5		
008 Number of valve positions	G ^{1/8} ²⁾	G ^{1/4}	G ^{3/8}
4 Valve positions	573434	573500	8004913
6 Valve positions	573436	573502	8004915
8 Valve positions	573438	573504	8007917
10 Valve positions	573440	573506	8004919
12 Valve positions	573441	573507	8004920
16 Valve positions	573442	573508	8004921
24 Valve positions	573444	573510	8004923

1) Internal or external pilot air supply possible with the same manifold rail by using integrated blanking plug.

2) Optimized for flow rate

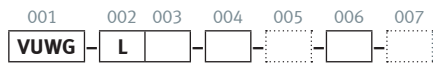
Ordering data – pneumatic accessories



Description	Part no.	Type
Separator		
6 for manifold rail, size 10, M5/M7		
for sub-base valves	569994	VABD-6-B
for semi in-line valves	569995	VABD-8-B
for all manifold rails		
Size 14, G ^{1/8}	569996	VABD-10-B
Size 18, G ^{1/4}	569997	VABD-12-B
Cover plate		
7 Vacant position width 10 mm	573422	VABB-L1-10-T
Vacant position width 14 mm	573488	VABB-L1-14-T
Vacant position width 18 mm	8004897	VABB-L1-18-T
Supply plate		
8 Supply ports 1, 3, 5, width 10 mm	573924	VABF-L1-10-P3A4-M7-T1
Supply ports 1, 3, 5, width 14 mm	573925	VABF-L1-14-P3A4-G18-T1
Supply ports 1, 3, 5, width 18 mm	8004898	VABF-L1-18-P3A4-G14-T1

Pneumatic valves VUWG

Type code – Pneumatic valve VUWG



001	Type
VUWG	Pneumatic valve
002	Valve type
L	In-line valve, individual valve
S	In-line valve, manifold valve incl. seals and screws
B	Sub-base valve, manifold valve incl. seals and screws
003	Size / max. flow rate/pneumatic port
10A	10 mm / 100 l/min
10	10 mm / 380 l/min
14	14 mm / 780 l/min
18	18 mm / 1380 l/min
004	Valve function
B52	5/2-way valve, double-solenoid
M52	5/2-way valve, single-solenoid
P53C	5/3-way valve, mid-position closed
P53E	5/3-way valve, mid-position exhausted
P53U	5/3-way valve, mid-position pressurised
T32C	2x3/2-way valve, normally closed
T32H	2x3/2-way valve, 1x normally closed, 1x normally open
T32U	2x3/2-way valve, normally open

005	Type of reset
-	None
A	Pneumatic spring
R	Pneumatic/mechanical spring
M	Mechanical spring

006	Pneumatic port
M3	M3 thread
M5	M5 thread
M7	M7 thread
G18	Thread G1/8
G14	G1/4 thread
F	Flange/sub-base
Q...	Push-in connector, metric: 3 = 3 mm, 4 = 4 mm, 6 = 6 mm, 8 = 8 mm, 10 = 10 mm
T...	Push-in connector, imperial: 18 = 1/8, 532 = 5/32, 316 = 3/16, 14 = 1/4, 38 = 3/8

007	Exhausting
-	Without fitting
U	Pneumatic silencer
QN	With fitting

Key: Mandatory entry Optional entry

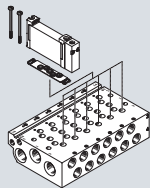
Ordering data – Variants pneumatic valve VUWG

	<p>Configurable product</p>	<p>This product and all its variants can be ordered using the configurator.</p>	<p>You can find the configurator under Products → www.festo.com/catalogue/vuwg</p>	<p>Enter the configuration part number in the search field: 571755</p>
--	------------------------------------	--	---	--

Ordering data – Variants pneumatic valve VUWG

External pilot air supply, 007 Exhausting without fitting

In-line valves, individual valves VUWG-L



004		B52	003 Size			
			10 mm	10 mm	14 mm	18 mm
			006 Pneumatic port			
005	Reset method		M5	M7	G $\frac{1}{8}$	G $\frac{1}{4}$
– Without			573809	573825	573833	574271
004		M52	003 Size			
			10 mm	10 mm	14 mm	18 mm
			006 Pneumatic port			
005	Reset method		M5	M7	G $\frac{1}{8}$	G $\frac{1}{4}$
M Mechanical spring			574254	574258	574262	574270
004		M52	003 Size			
			10 mm	10 mm	14 mm	18 mm
			006 Pneumatic port			
005	Reset method		M5	M7	G $\frac{1}{8}$	G $\frac{1}{4}$
R Pneumatic/mechanical spring			573808	573824	–	574269
A Pneumatic spring			–	–	573832	–
004		T32C	003 Size			
			10 mm	10 mm	14 mm	18 mm
Normally closed			006 Pneumatic port			
005	Reset method		M5	M7	G $\frac{1}{8}$	G $\frac{1}{4}$
A Pneumatic spring			573805	573821	573829	574263
004		P53C	003 Size			
			10 mm	10 mm	14 mm	18 mm
Mid-position closed			006 Pneumatic port			
005	Reset method		M5	M7	G $\frac{1}{8}$	G $\frac{1}{4}$
None			573810	573826	573834	574272

Manifold rail VABM-L1 → page 8

Worldwide always in stock: the Festo core product range for automation

FESTO



Festo core product range: Festo quality at an attractive price covering 80% of your automation tasks. From actuators to accessories for factory automation as well as process automation – you can reduce procurement complexity for both the electric and pneumatic control chain.

→ www.festo.com